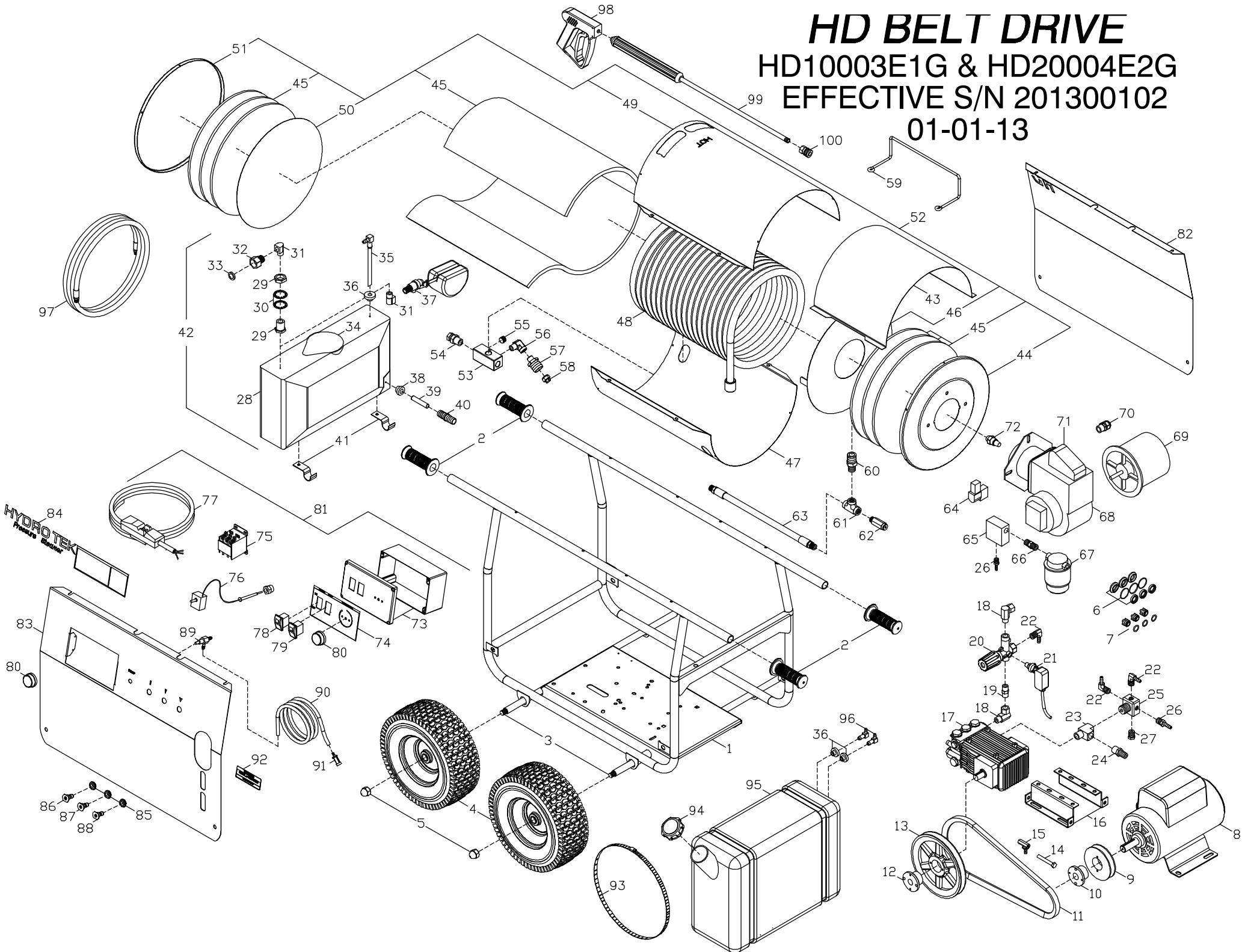


# HD BELT DRIVE

HD10003E1G & HD20004E2G  
EFFECTIVE S/N 201300102  
01-01-13



# HD10003E1G & HD20004E2G (BELT DRIVE) PARTS LIST

S/N201300102

1-Jan-13

1	HHD00	HD FRAME STAINLESS	37	VVF08	FLOAT VALVE 3/8" BRASS	72	BZ150	FUEL NOZZEL 1.5 80B (HD10003E1G)
2	HL010	HAND GRIP 1in MX	38	DFE10	WATER TANK BUSHING 5/8"		BZ200	FUEL NOZZLE 2.00 80B (HD20004E2G)
3	SR625	ROD, THREADED 5/8 ZINCE PLATED	39	VF050	STRAINER TUBE FOR FLOAT TANK	73	HHD52	ELECT BOX HD LASER CUT
4	HT127	WHEEL&TIRE TURF 13x5.00-6 3/4 BEARING GREY				74	GLL82	LABEL CONTROL HD
5	FNA09	NUT ACORN 5/8-11	40	D1010	SPLICER 5/8 BRASS	75	ECC22	CONTACTOR 40AMP 120V 3 POLE (HD10003E1G)
6	K161	PACKING KIT; 18MM	41	HH310	FLOAT TANK HINGE (SSTEEL) ASM		ECC21	CONTACTOR 40AMP 240V 3 POLE DEF (HD20004E2G)
7	K167	PACKING ASSEMBLY; 18MM	42	WT050	FLOAT TANK ASM W/VALVE SPECIFY	76	ECH50	THERMOSTAT 60-250 1 GP PART=25
8	ME205	MOTOR 2.0 HP 3450 C-FACE (MAGNETEK) (HD10003E1G)	43	HHD05	HD/SM BURNER RAIN GUARD	77	EP120	GFI PLUG/CORD 115V 20AMP (HD10003E1G)
	ME504	MOTOR 5 HP 208/230 1PH 3450 MT (HD20004E2G)	44	B0304	COIL HEAD 2012 BURNER END BC300		EP125	GFI CORD 240V 30AMP
9	KT034	SHEAVE BK34H (HD10003E1G)	45	BN053	INSUL BLKT 50SQ' 1/2 x 24 8#25'	78	EC411	ROCKER SWITCH 110V CLEAR (HD10003E1G)
	KT032	SHEAVE BK32H (HD20004E2G)	46	BN305	DISC RETAINER 13.00 OD w/ 4.38 HOLE BURNER END		EC421	ROCKER SWITCH 230V CLEAR (HD20004E2G)
10	KSH09	BUSHING 5/8 H (HD10003E1G)	47	B0314	COIL WRAP BOTTOM 1 PASS 2012 BC300	79	EC410	ROCKER SWITCH 110V RED (HD10003E1G)
	KSH12	BUSHING H 3/4 (HD20004E2G)	48	BC144	COIL 4PK SINGLE PASS 13.00 OD NEW 2012 HT MFG		EC420	ROCKER SWITCH 230V RED (HD20004E2G)
			49	B0313	COIL WRAP TOP 1 PASS SH-HD 2012 BC300	80	ECH70	KNOB; BLUE .25 x 1.500D
11	KSB38	BELT BX38 (HD10003E1G)	50	BN327	INSUL DISC RETAINER 13.00 DIA 2012 BC300			
	KSB32	BELT BX32 (HD20004E2G)				81	EHD21	HD10003 BOXASSM 2HP 115V 1PH (HD10003E1G)
12	KSH19	BUSHING H24 MM	51	B0303	COIL CAP OUTLET 14.50 2012 BC300 OUTLET SIDE		EHD62	HD PUMP BOX ASSM 6HP 230V 1PH (HD20004E2G)
13	KT080	SHEAVE BK80H (HD20004E2G)	52	BC300P	COIL ASM SINGLE PASS 4PK 2012 HD-SH	82	HHD31	HD REAR PANEL
	KT105	SHEAVE BK105H (HD10003E1G)	53	HHA10	BLOCK 1.5 x 1.5 x 3.5 OUTLET	83	HHD30	HD CONTROL PANEL
14	FB641	BOLT 3/8" x 2.50" PLD ALLTHREAD	54	DE568	SWIVEL 3/8"F x 1.2"M STEEL	84	GLL75	LABEL HYDRO TEK 34 x 3.00
15	HPR60	PUMP RAIL BOLT	55	D1061	PLUG 3/8" FLUSH HEAD HEX STEEL	85	HLB09	NOZZEL GROMET HOLDER
16	HPR10	PUMP ANGLE RAIL AR 4000 10GA	56	DC568	STREET ELL 3/8 STEEL FORGED ON	86	NQ552	NOZZEL/QDC 055 x 15 (HD10003E1G)
17	PG350	PUMP 3.5 @2500 24MM SHAFT	57	UPB05	ADAPTER FITTING-BURST DISC		NQ502	NOZZEL/QDC 05 x 15 (HD20004E2G)
18	DE866	SWIVEL 3/8"F x 3/8"M 90	58	UPB80	BURST DISC 8000psi TORQUE 32-4	87	NQ554	NOZZEL/QDC 055 x 40 (HD10003E1G)
19	DB506	NIPPLE 3/8" STEEL	59	HHP29	WIRE HOSE HOOK- ZINC PLATED		NQ504	NOZZEL/QDC 05 x 40 (HD20004E2G)
20	UU260	UNLOADER, ST261 NO SWITCH	60	DB507	NIPPLE 3/8" x 1/2" STEEL	88	NQ453	NOZZEL/QDC 045 x 25 (HD10003E1G)
							NQ403	NOZZEL/QDC 04 x 25 (HD20004E2G)
21	VS030	PRESSURE SWITCH 4000 PA/PR16	61	DE066	TEE 3/8" STEEL	89	VVC10	CHEMICAL MET VALVE MV-100 MOD
22	D8040	HOSE BARB 1/4" 90 ELBOW	62	UP120	PRESSURE RELIEF 2000psi ORANGE (HD10003E1G)	90	DHB04	TUBING; CLEAR BRAIDED 1/4
23	D6588	STREET TEE 1/2" BRASS		UP128	PRESSURE RELIEF 2800psi BLUE (HD20004E2G)			
24	D8070	HOSE BARB 5/8H x 1/2M .25id BLACK (HD10003E1G)	63	DH002	HOSE 3/8" x 14" 5000PSI	91	VF045	STRAINER CHEMICAL w/CHECK
25	HHA05	MINI MAN IFOLD-BRASS	64	BPV10	FUEL VALVE 120V (HD10003E1G)	92	GLL20	LABEL DIESEL FUEL ONLY
26	D8044	BARB, HOSE 1/4" BRASS		BPV20	FUEL VALVE 220V (HD20004E2G)	93	FC074	WORM GEAR CLAMP 2 1/2 x 13 1/4
27	D1040	PLUG 1/4" BRASS	65	BPA10	FUEL PUMP MOD A2V-7116	94	WT080	FUEL CAP, DIESEL
28	WT040	TANK, FLOAT 4 GAL HD LINEAR (NO HOLES)	66	D2044	NIPPLE 1/4 BRASS	95	WT075	FUEL TANK 7.5 DIESEL CLEAR
29	D7520	PANEL FITTING 3/4" BRASS	67	BF020	FUEL FILTER RAYCOR HYDRO TEK	96	DFE04	FUEL TANK ELL 1/4
30	FW701	WASHER FLOAT TANK 1.75 OD 14 GA	68	BU605	BURNER, BECKET 115V HG (HD10003E1G)	97	DH050	HOSE 3/8" x 50' 3000 PSI
				BU602	BURNER, BECKET AFG 230V (HD20004E2G)	98	VG200	TRIGGER,GUN INSULATED 4000 PSI
31	D5566	STREET ELL 3/8" BRASS	69	BM556	BURNER MOTOR 115V BECKET H2G (HD10003E1G)	99	VW036	WAND 1/4" x 36" MOLDED GRIP
32	D006M	GARDEN HA 3/8" NPT MALE		BM562	BURNER MOTOR 220V BECKET (HD20004E2G)	100	DQ04S	COUPLER 1/4" SOCK FEM
33	D0021	SCREEN WASHER GARDEN HA	70	EWC08	STRAIN RELIEF 1/2" HEYCO (3/8)			
34	HH400	FLOAT TANK COVER; HINGED						
35	DF599	FUEL TANK ADAPTER W/PLASTIC TUBE	71	BMT15	IGNITION TRANSFORMER 115V BECKET (HD10003E1G)			
36	DFF04	FUEL TANK BUSHING 1/4		BMT25	IGNITION TRANSFORMER-IRON CORE 240V BECKET (HD20004E2G)			